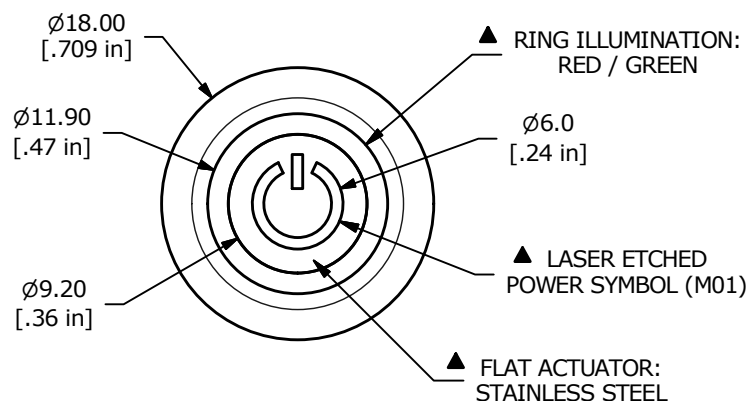
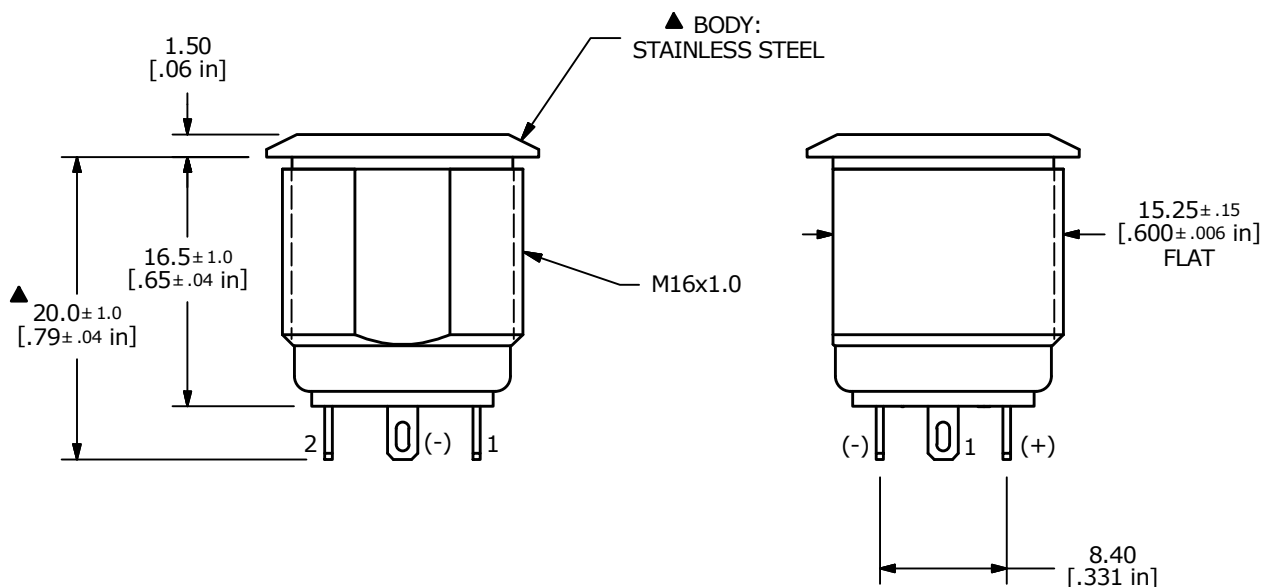
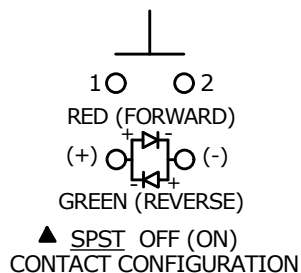


RECOMMENDED PANEL CUTOUT
 MAX. PANEL THICKNESS
 10.0 [.315 in]



SWITCH FUNCTION	
POS. 1	POS. 2
OFF	(ON)
OPEN	(1-2)

() = MOMENTARY



- NOTE:
- ALL DIMENSIONS IN MM [INCH]
 - GENERAL TOLERANCE: X.X = ±0.4
X.XX = ±0.25
 - TERMINAL NUMBERS FOR REF ONLY
 - CONTACT MATERIAL: GOLD PLATED
 - RATING: 2A 48VDC
 - ELECTRIC LIFE: 200,000 MAKE-AND-BREAK CYCLES AT FULL LOAD.
 - INSULATION RESISTANCE: 1,000 MΩ MIN.
 - DIELECTRIC STRENGTH: 2,000 VAC MIN. FOR 1 MINUTE
 - CONTACT RESISTANCE: 50mΩ MAX. @ 1A 12VDC
 - OPERATING TEMP.: -20°C to 55°C
 - TRAVEL: 1.8mm
 - ▲ DENOTES CRITICAL PARAMETER.
 - ILLUMINATION VOLTAGE: 1.8V 20mA FORWARD, 2.8V 20mA REVERSE
 - HARDWARE SUPPLIED: O-RING AND HEXNUT (NOT SHOWN)



A	23014	INITIAL RELEASE	10/2/17	MW
REV	PCR NO	DESCRIPTION	DATE	BY

TITLE PV6F240SSG-3G1-M01				
SCALE	DATE	DR	DWG	REV
2:1	10/2/2017	MW	52-PV6S00264	A

THE INFORMATION CONTAINED IN THIS DOCUMENT IS PROPRIETARY TO E-SWITCH AND IS NOT TO BE COPIED OR TRANSFERRED